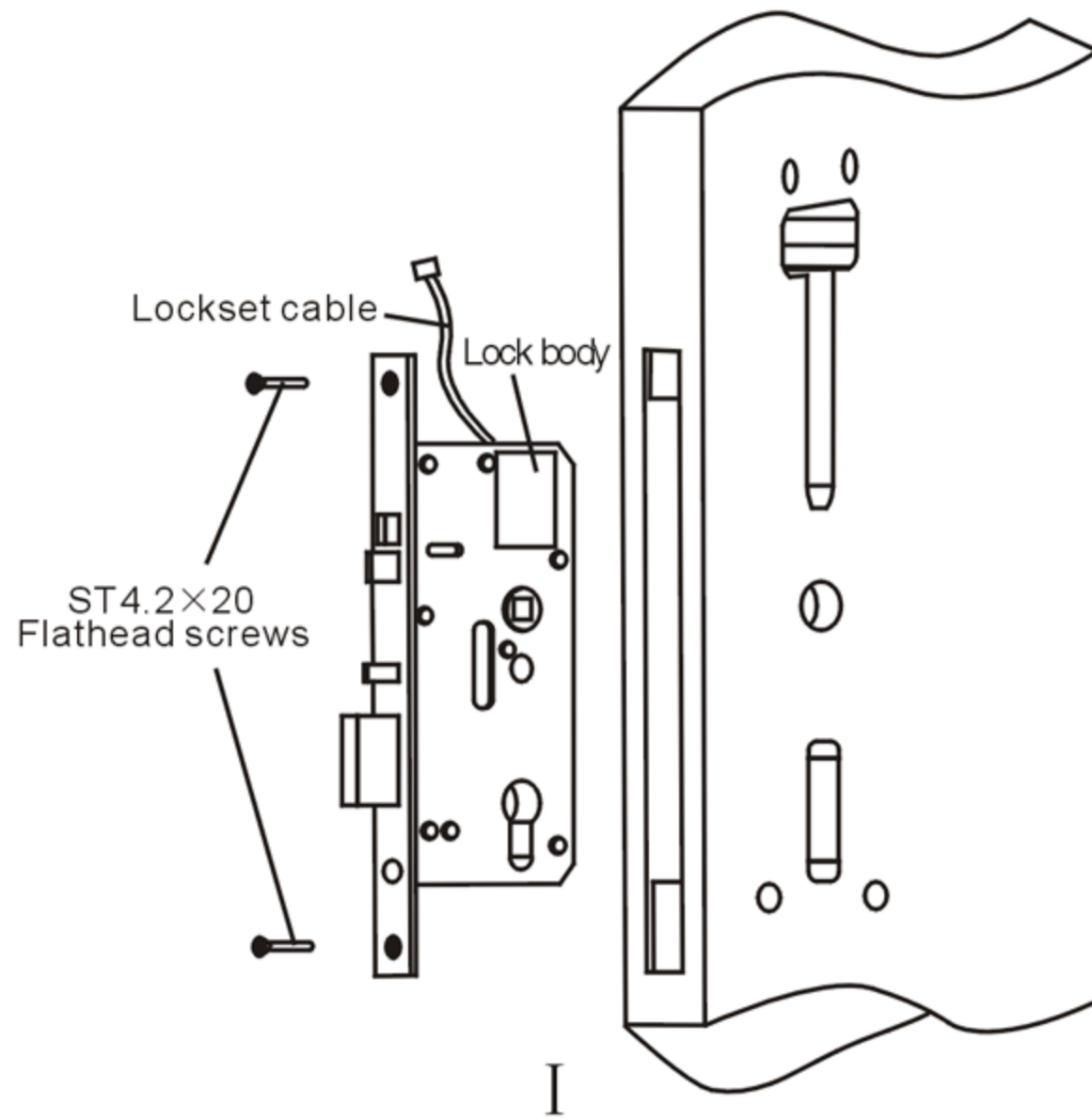
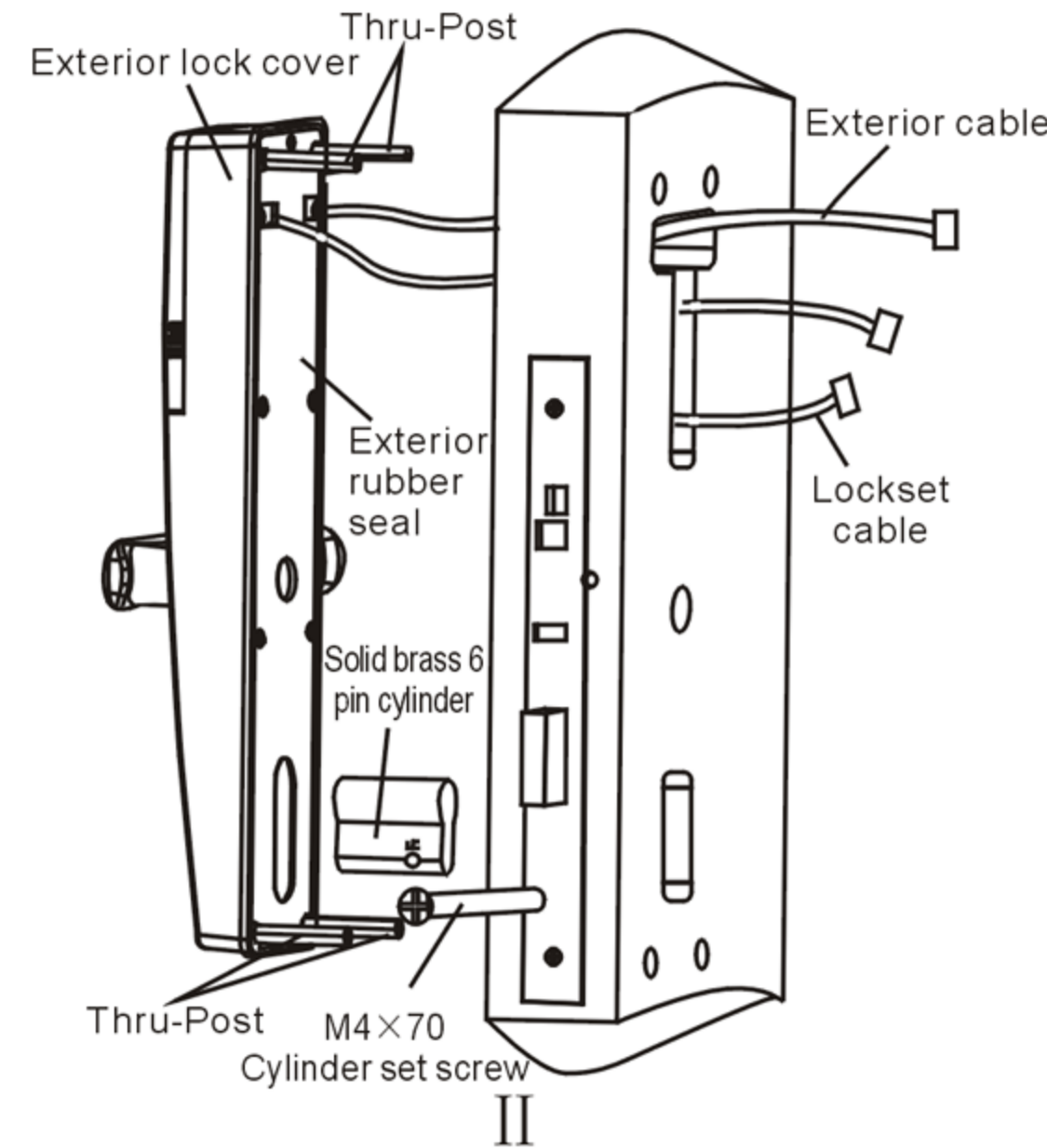


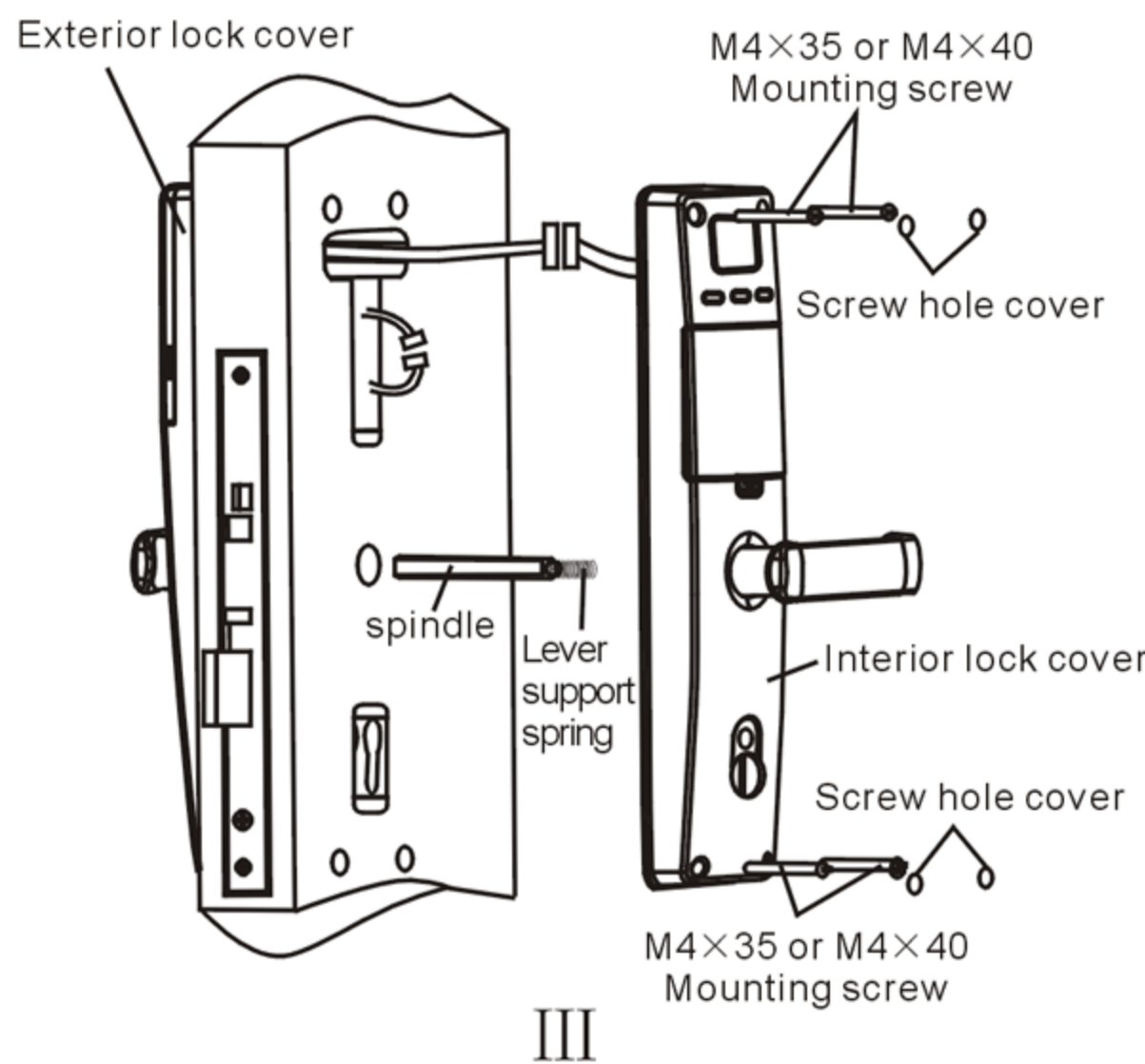
# Shepherd 260 Mortise Lock Installation Instructions



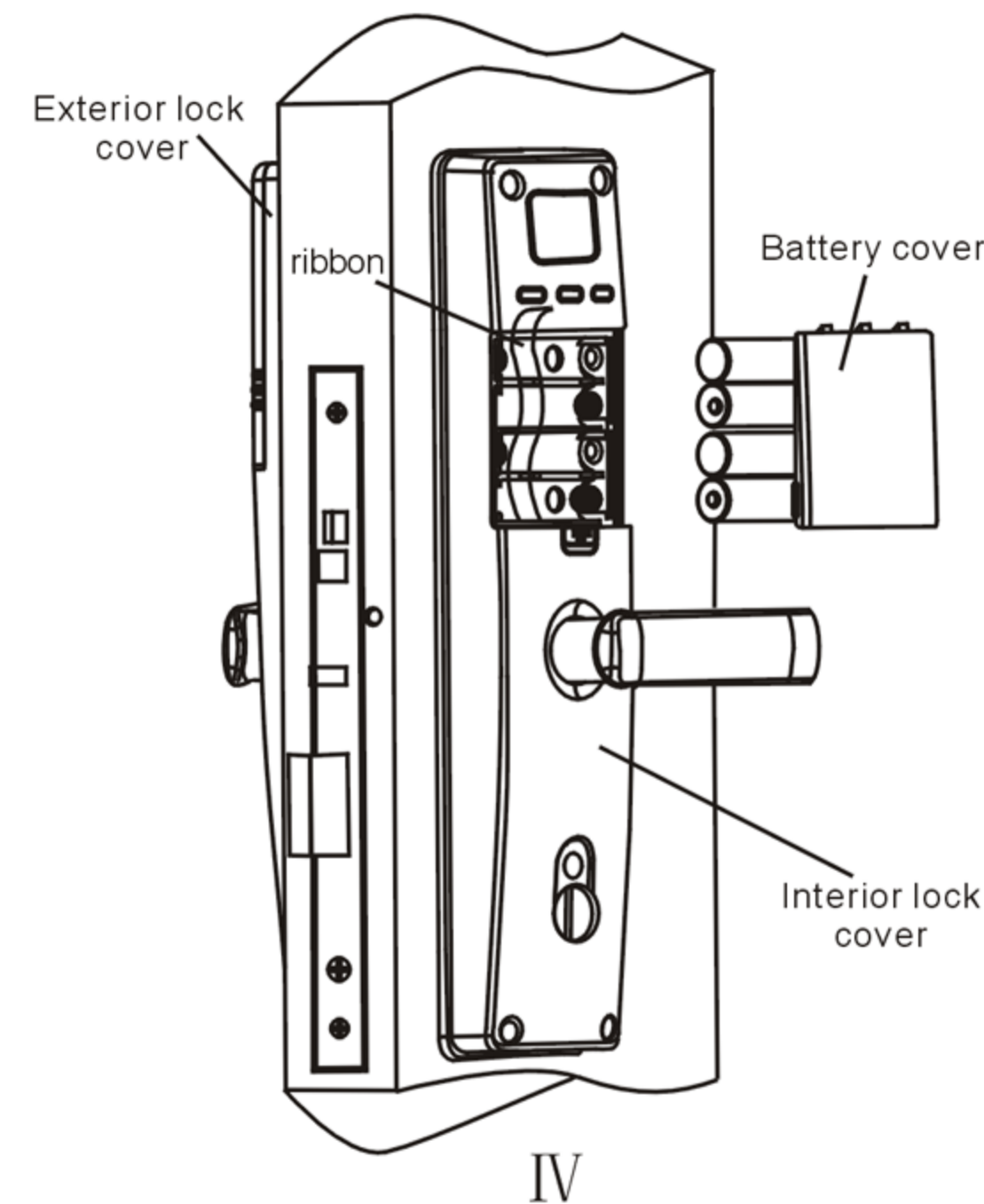
**I. Installing the lock body**  
 1. Insert the lock body into cavity. Check that lock fits easily in door.  
 2. Mark and drill flathead holes. Fasten with flathead screws to hold lock in place.



**II. Installing the exterior lock cover**  
 (1) Insert the 6 pin cylinder into the lock body, and fasten with M4×70 cylinder set screw.  
 (2) Place the exterior rubber seal on the exterior lock cover. Make sure the rubber seal does not cover the thru-post holes.  
 (3) Attach the exterior lock cover on the door. Make sure the exterior cable goes through the cutout and hole.



**III. Installing the interior lock cover**  
 (1) Place the lever support spring into the lock, and engage the spindle in hub.  
 (2) Connect the exterior cable with the interior cable.  
 (3) Assemble the exterior lock cover and the interior lock cover together. Check the alignment of the two lock covers. Make sure that they are straight.  
 (4) Fasten the interior lock cover and the exterior lock cover with mounting screws. Two M4×42 screws for the top holes, and two M4×35 screws for the bottom.



**IV. Final Installation**  
 Remove the battery cover and insert 4 AA alkaline batteries (not included). The installation of shepherd 260 is completed. Refer to Operation Manual for proper use.